

ARC™ AIRCRAFT RINSE CART



- U.S. NAVY AND U.S. ARMY APPROVED FOR RINSING FIXED WING AND ROTARY AIRCRAFT
- IDEAL FOR ANTI-CORROSION PM OF CIVIL AND MILITARY AIRCRAFT
- SAFE-FOR-AIRCRAFT 175 PSI
- COMPLETELY SELF-CONTAINED
- DESIGNED FOR FLIGHT LINE A.G.E. TOWING
- DUAL WANDS FOR FASTER RINSING

ARC™ SETS THE STANDARD IN AIRCRAFT RINSING

Designed in conjunction with U.S. Navy for aircraft rinsing, the Riveer Aircraft Rinse Cart (ARC™) meets with flying colors the criteria for dependable performance in brutal environments and remote airfield operations. The ARC's rugged design includes a pressure washer rated to perform aircraft rinses and meet the rinsing and pressure guidelines in TM 1-1500-344-23-2.

The system sprays 10 gallons of water per minute out of each wash wand, applying a safe-for-aircraft 175 PSI. This helps meet the stringent TM requirements for aircraft rinse and decontamination procedures. The ARC is low-pressure to not damage equipment while providing an effective stream for rinsing joints, hinges and other areas of entrapment.

ARC's high flow rate cuts rinsing time dramatically by efficiently rinsing large areas. This efficiency is further supplemented by the presence of dual guns for two users and 200' of total reach. Simultaneous use of the dual guns will not negatively impact flow rates. In addition, the spray can easily extend 40' for rinsing tail sections and larger aircraft.



Adheres to:
T.O. 1-1-691, Aircraft Weapon Systems Cleaning and Corrosion Control (NAVAIR 01-1A-509, TM 1-1500-344-23-2)



ARC is the perfect tool for remote corrosion prevention.



Add two extra guns (4 total, all spraying 10GPM @ 125PSI) and/or hot water for even quicker cleaning capability.



Engineered Wash Water Recovery Systems

ARC™ Aircraft Rinse Cart

ARC is simple to operate and maintain. The trailer-mounted unit is completely self-contained and stand-alone, and will operate in a broad range of environmental conditions (from 34F-140F). Minimal operator training is needed; GripStart™ one button starts and stops the unit, and automates the pumping cycle to ensure minimum pump wear and reduce generator demand.

ARC operates on JP-8 or other common aircraft fuels or diesel. It can utilize an external clean water supply when available. Water can be held in a 1000-gallon tank that allows for a lengthy run time when no water is nearby.

The ARC can be towed with HMMV, TUG, or other common AGE. It features a 6" to 28" tow bar height, surge brakes, stout and fully boxed trailer construction and a 7000# axle set rating. Baffles help to stabilize the tank by reducing the free-surface effect. ARC is transportable in accordance with MIL-STD-209, 1791, and 913.



ADDITIONAL FEATURES

- Run dry protection
- Auto fill for unattended fill-up
- Low RPM CARB tier 3 generator
- AGE retracting grounding cable
- AGSE parking brake and DOT trailer
- Min. 12-hour operation with on-board fuel
- On-board storage for components, spares, support equipment
- NEMA 4 electrical construction
- Water-cooled low RPM diesel generator
- Variable angle spray nozzle
- Advanced AGM battery for long storage life and exceptional power
- Fully ruggedized structure with custom frame to provide a low center of gravity
- Perimeter protection bumper to prevent damage to frame
- Automatic shut down for low pressure, high temp, low Hz or high Hz
- Full protection circuitry for pumps, motors, and generator
- IEC CE standard components
- Easily drained for storage and transport with large dump valves
- Available with hot water and/or two additional guns

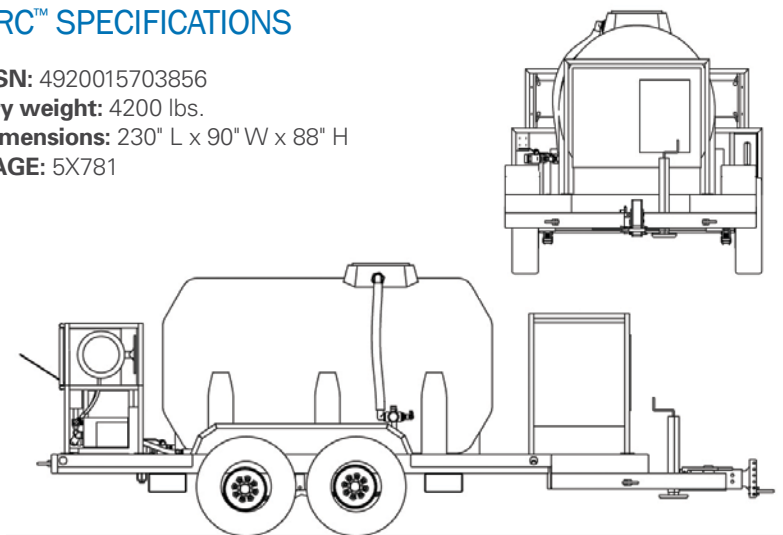
ARC™ SPECIFICATIONS

NSN: 4920015703856

Dry weight: 4200 lbs.

Dimensions: 230" L x 90" W x 88" H

CAGE: 5X781



BUILT TO STANDARDS:

- **NEC 2005:** National Electric Code as adopted for 2005.
- **MIL-STD-461:** Requirements for the Control of Electromagnetic Interference Characteristics of Subsystems and Equipment
- **MIL-STD-209K:** Interface Standard for Lifting and Tie Down Provisions
- **MIL-STD-810F:** Environmental Engineering Considerations and Laboratory Tests



Riveer employs a quality management system that is ISO 9001:2008 certified.
©2014 RIVEER. All rights reserved. Specifications subject to change. R1.14

RIVEER | 233 VETERANS BLVD | SOUTH HAVEN MI | RIVEER.com | 888.857.7304



**Engineered Wash Water
Recovery Systems**